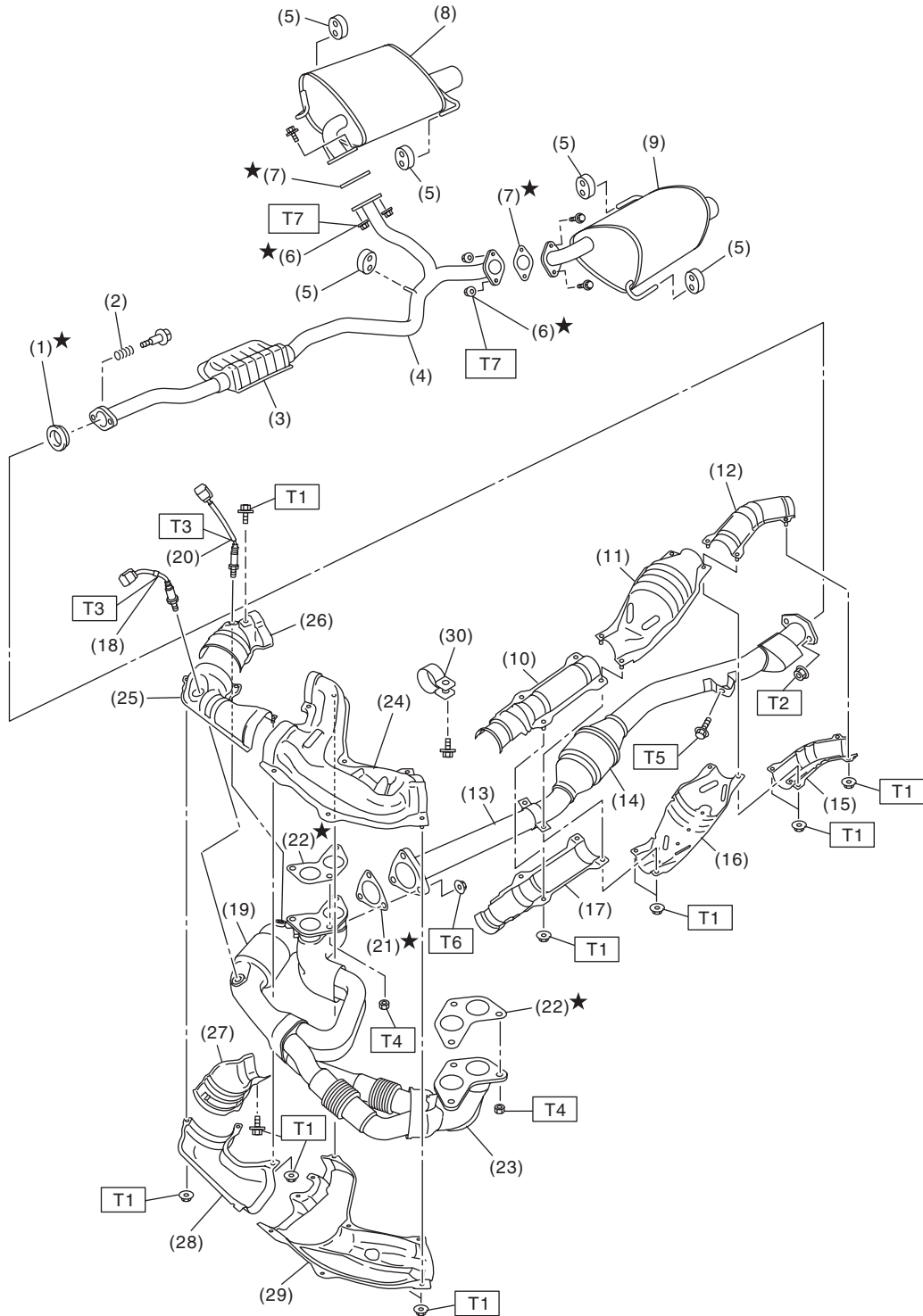


General Description

EXHAUST

1. General Description

A: COMPONENT



EX-02192

General Description

EXHAUST

(1) Gasket	(16) Rear catalytic converter lower cover	(28) Front exhaust pipe lower cover RH
(2) Spring	(17) Center exhaust pipe front lower cover	(29) Front exhaust pipe lower cover LH
(3) Chamber	(18) Front oxygen (A/F) sensor	(30) Clamp
(4) Rear exhaust pipe	(19) Front catalytic converter	
(5) Cushion rubber	(20) Rear oxygen sensor	
(6) Self-locking nut	(21) Gasket	
(7) Gasket	(22) Gasket	
(8) Muffler (RH)	(23) Front exhaust pipe	
(9) Muffler (LH)	(24) Front exhaust pipe upper cover LH	
(10) Center exhaust pipe front upper cover	(25) Front exhaust pipe upper cover RH	
(11) Rear catalytic converter upper cover	(26) Front catalytic converter upper cover	
(12) Center exhaust pipe rear upper cover	(27) Front catalytic converter lower cover	
(13) Center exhaust pipe		
(14) Rear catalytic converter		
(15) Center exhaust pipe rear lower cover		

Tightening torque:N-m (kgf-m, ft-lb)

T1: 13 (1.3, 9.4)

T2: 18 (1.8, 13.0)

T3: 21 (2.1, 15.2)

T4: 30 (3.1, 22.4)

T5: 35 (3.6, 26.0)

T6: 40 (4.1, 29.5)

T7: 48 (4.9, 35.4)

B: CAUTION

- Wear appropriate work clothing, including a cap, protective goggles and protective shoes when performing any work.
- Remove contamination including dirt and corrosion before removal, installation or disassembly.
- Keep the disassembled parts in order and protect them from dust and dirt.
- Before removal, installation or disassembly, be sure to clarify the failure. Avoid unnecessary removal, installation, disassembly and replacement.
- Vehicle components are extremely hot after driving. Be wary of receiving burns from heated parts.
- Be sure to tighten fasteners including bolts and nuts to the specified torque.
- Place shop jacks or rigid racks at the specified points.
- Before disconnecting connectors of sensors or units, be sure to disconnect the ground cable from the battery.
- If any fat adheres to the exhaust pipe, wipe it off. Otherwise a fire may happen.